

mote
INTERNATIONAL

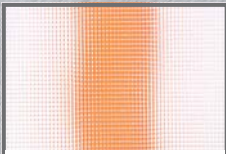
PRODUCT CATALOG



Contents

Products	3
Aluminium door frame profiles	4
ALU1 profile	4
ALU2 profile	4
ALU3 profile	5
ALU4 profile	5
ALU4/2 profile	5
ALU14 profile.	6
Glass inserts for aluminium frame profile	7
Aluminium plinth profiles and accessories	8
ALU5 plinth profiles	8
ALU6 accessories for aluminium plinth	8
ALU7 accessories for aluminium plinth	8
ALU8 accessories for aluminium plinth	8
Aluminium back-splashes profiles, handle profiles	9
ALU9 back-splash profile	9
ALU10 back-splash profile	9
MG07 handle profile	9
Exclusive aluminium tables	10
Illuminated shelves	12
Illuminated shelf fixed to the wall	12
Illuminated shelf for cabinet door with handle	13
Illuminated shelves for cabinet door without handle.	13
Illuminated mirror	14
LEDline lighting	15
P21 LEDline embedded profile	15
P10 LED alu profile for glass shelves	15
F03 LED exclusive transparent, square lamp	16
P06 LEDline with adhesive	16
F24 square LED lamp with 18 pieces of white LEDs.	17
P30 design LED lamp	17
Handles	18
Extending table slides	20
Extending table slides and joinery accessories	22

Products



Glass inserts for aluminium frame profile page 7



Aluminium door frame profiles – page 4



ALU14 door frame profiles – page 6



LEDline lighting page 15



Handles – page 18



Aluminium plinth profiles – page 8



Illuminated shelves page 12



Aluminium backsplashes page 9

Aluminium door frame profiles

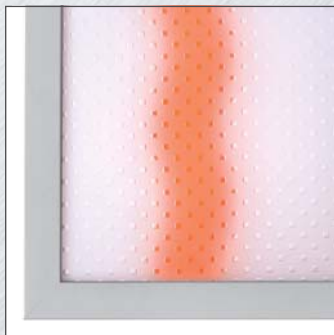
We produce furniture doors with aluminium frames in different sizes (with place of hinges and handles).
We produce these products with glazing.

Characteristics of profiles:

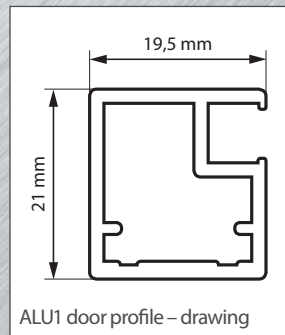
- finishes: ALU, INOX and BRIGHT CHROME
- profiles without scratch
- exclusive quality
- frames ALU1, ALU3, ALU4 and ALU4/2 fixed by screws
- aluminium profiles with patent system (ALU2)
- the building in of 24 glass Types (option: heat-resistant or polished glass inserts)
- holes for handles and knobs
- holes for *Aventos* systems and sliding door fittings
- complete furniture door systems

Profile surfaces:  **alu**  **inox**  **chrome** and **paint**ed (based on RAL range of colours)

ALU1 door frame profile with alu, inox and chrome surfaces

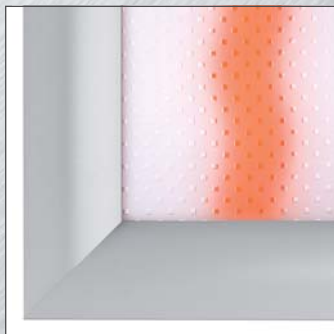


ALU1 profile, alu surface

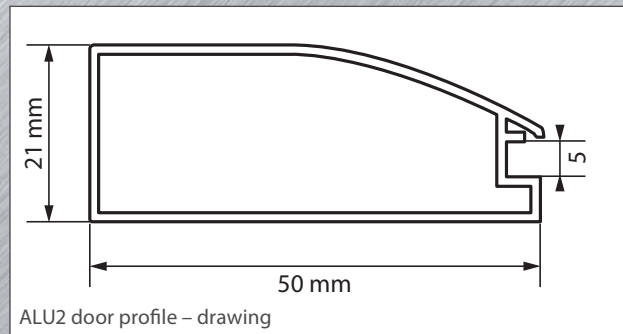


ALU1 door profile – drawing

ALU2 door frame profile with alu and inox surfaces



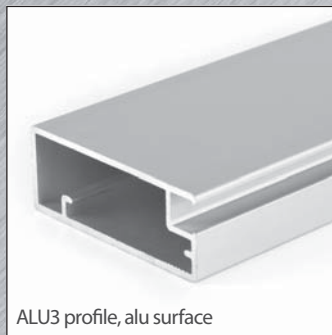
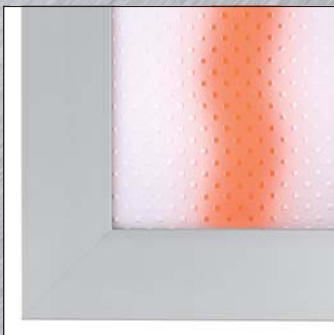
ALU2 profile, alu surface



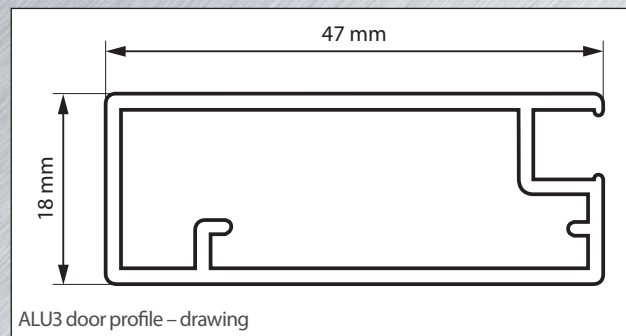
ALU2 door profile – drawing

Aluminium door frame profiles

ALU3 door frame profile with alu, inox and chrome surfaces

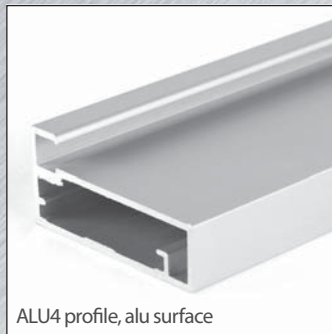
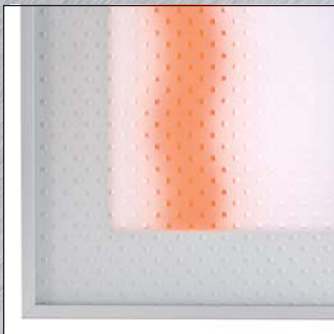


ALU3 profile, alu surface

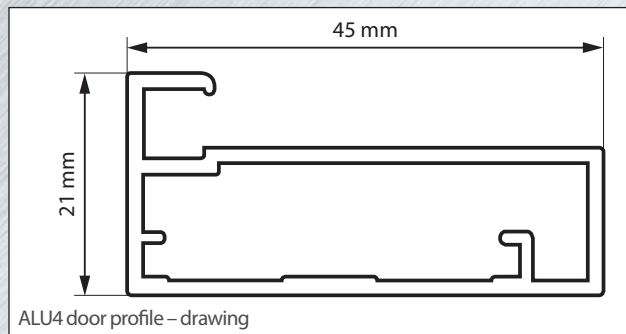


ALU3 door profile – drawing

ALU4 door frame profile with alu, inox and chrome surfaces

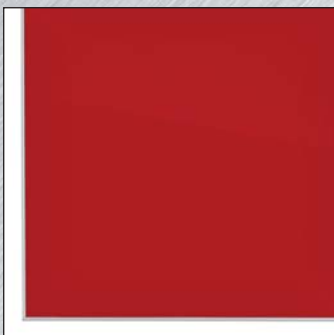


ALU4 profile, alu surface

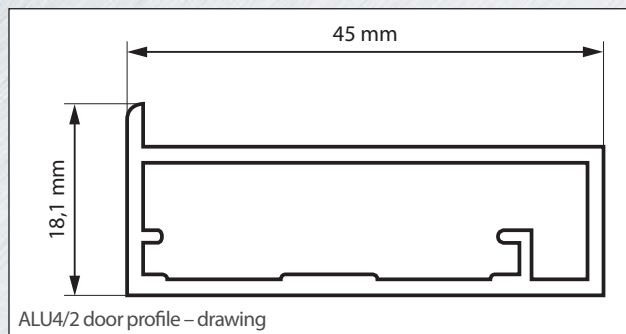


ALU4 door profile – drawing

ALU4/2 door frame profile with alu, inox and surfaces



ALU4/2 profile, alu surface



ALU4/2 door profile – drawing

ALU14 door frame profiles

ALU14 door frame profile with alu, inox and chrome surfaces



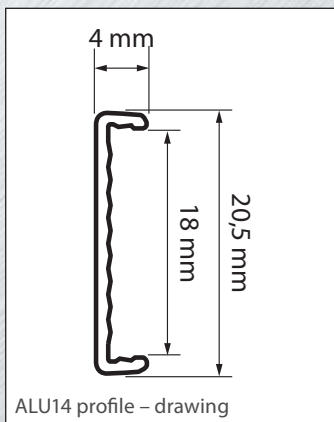
The exclusive ALU14 door-front can complete or replace the lacquered door-front or drawer front-board well. It is also perfect for both front and back sides of extending kitchen cabinets.

Parts of ALU14 door-front:

ALU14 **alu, inox or bright chrome** edge-banding profile contains a sandwich-panel and a Lacobel colour glass or mirror

The back side of the sandwich-panel – which is the back side of the door-front at the same time – is a white MDF sheet, in which we can make room for hinges and handles as required so the product can be used also for front door of extending kitchen cabinets.

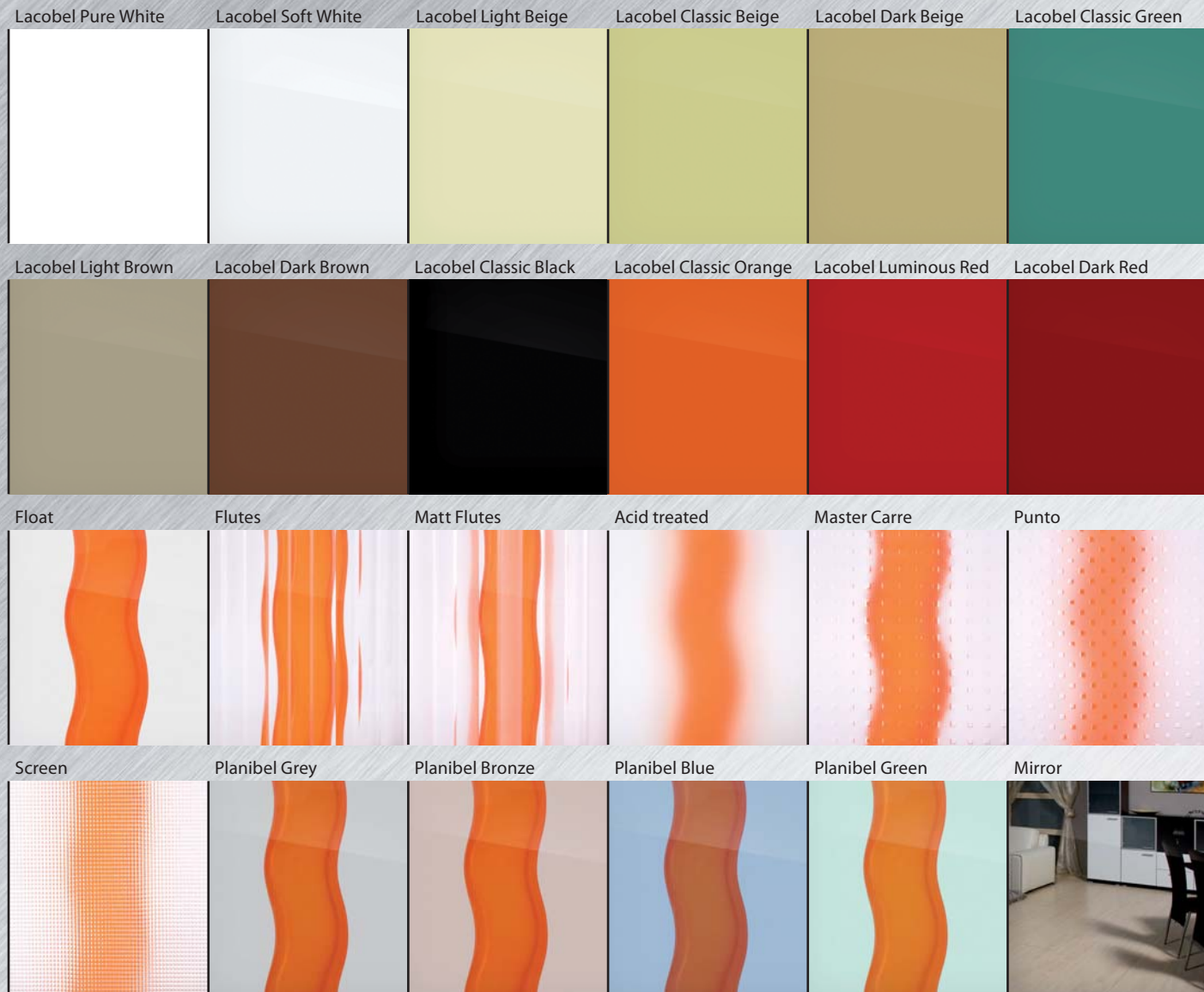
We produce ALU14 doors in sizes required.



Glass inserts for aluminium door frame profiles

We produce furniture doors with aluminium frames in different sizes (with place of hinges and handles). We produce these

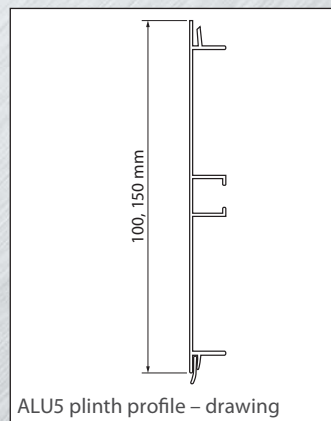
products with glazing. If you want to order heat-resistant, polished or foiled glass, please ask our colleagues for a quote.



Photos are just for illustration purposes only. Articles shown are to illustrate the pattern of the glass, they are not part of it.

Aluminium plinth profiles and accessories

ALU5 plinth profile with ALU and INOX surfaces



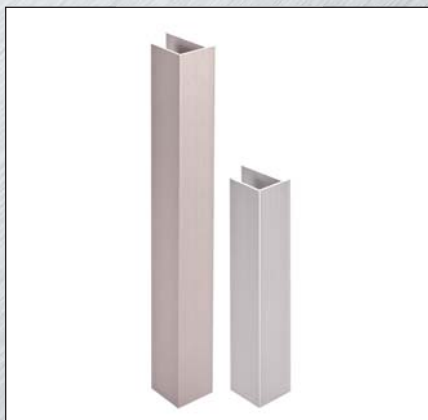
Aluminium plinth profiles can be ordered with length of 4 m in case of alu surface, 3,9m in case of inox surface.

Available sizes (height): 100 mm, 150 mm.

Available colours: ALU surface, INOX surface.

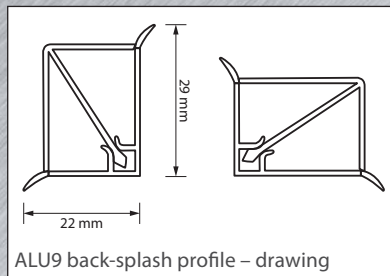
We cut the profiles to different sized pieces on request.

ALU6, ALU7 and ALU8 accessories for aluminium plinth

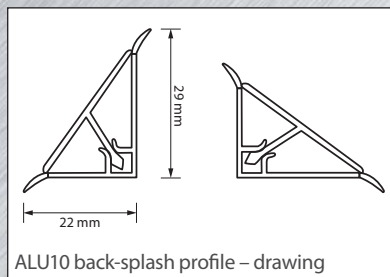


Aluminium back-splashes profiles, handle profiles

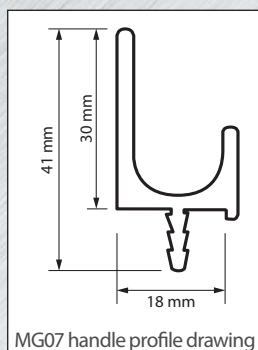
ALU9 back-splash profile with ALU and INOX surfaces



ALU10 back-splash profile with ALU and INOX surfaces



MG07 handle profile with ALU and INOX surfaces



Profiles are available in 3,9 m long pieces with two different surfaces:

- Matte elox ALU surface
- INOX surface

We cut the profiles to different sized pieces on request.

Using MG07 profile on bottom and upper cabinets.

Exclusive aluminium tables



Exclusive aluminium tables

Aluminium profiles – exclusive product range.

Custom designed exclusive aluminium tables (dining table, office table, smoking table).

Structure of tables:

- 50×50 mm table leg profile
+ 50×50 mm connecting profile,
- 100×50 mm table leg profile
+ 50×50 mm connecting profile.

2 different profile finishes:

- Brushed aluminium,
- Brushed brill.

The following table tops are available as options:

- 12 mm heat-resistant glass,
- 30-60 mm furniture, laminated furniture, solid wood.



Illuminated shelves

Illuminated shelves – exclusive shelf product range

Exclusive shelf product range made from aluminium.
Custom designed exclusive illuminated shelves.

Types of illuminated shelves:

- Illuminated shelf fixed to the wall
- Illuminated shelf for cabinet door with handle (exclusive back profile for back side of furniture)
- Illuminated shelf for cabinet door without handle (exclusive back profile for back side of furniture, and front profile for doors without handle)

Used for:

- kitchen
- living room
- előszoba
- bathroom

Characteristics:

- matte aluminium profile
- with or without switch (for external lighting control – e.g. wall switch)

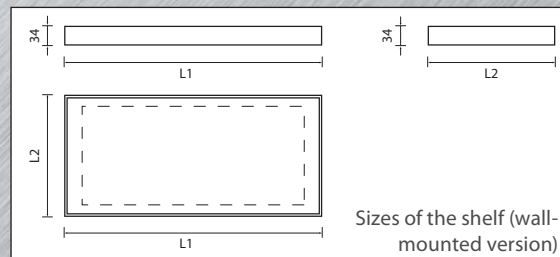
Available inserts:

- acid-treated glass
- tempered acid treated glass
- opal plexi

We produce custom designed exclusive illuminated shelves.

Series production – in case of bigger quantity please ask for our exclusive offer.

Illuminated shelf fixed to the wall



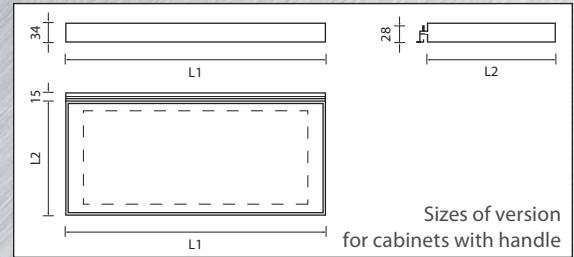
Sizes available	Min.	Max.
L1 (width)	420 mm	1200 mm
L2 (depth)	150 mm	250 mm

Switching options:

- **with switch** (placed on lower glass of illuminated shelf)
- **without switch** (for external lighting control – e.g. wall switch)

Illuminated shelves

Illuminated shelf for cabinet door with handle



Exclusive profiles:

The shaping of *back profile* of illuminated shelf makes the switching of cabinet back side possible.

Available sizes	Min.	Max.
L1 (width)	420 mm	1200 mm
L2 (depth)	150 mm	400 mm

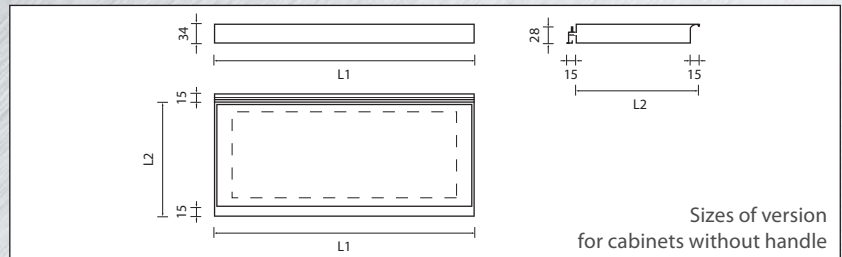
Used for:

- As shelves in the **kitchen, living room** or **bathroom**.

Switching options:

- **with switch** (placed on lower glass of illuminated shelf)
- **without switch** (for external lighting control – e.g. wall switch)

Illuminated shelves for cabinet door without handle



Used for:

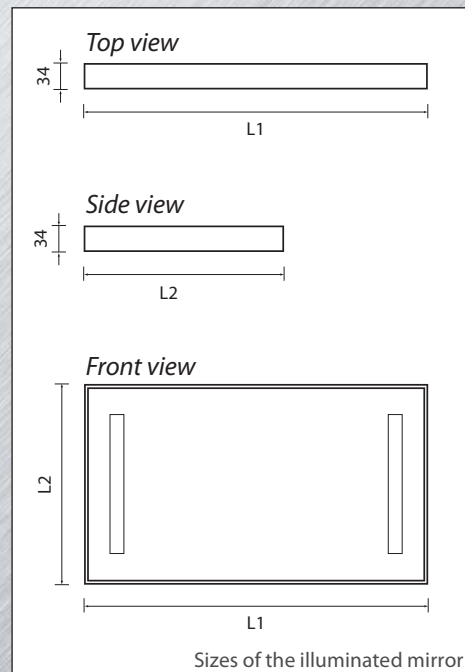
- As shelves in the **kitchen, living room** or **bathroom**.

Available sizes	Min.	Max.
L1 (width)	420 mm	1200 mm
L2 (depth)	150 mm	400 mm

Exclusive profiles:

- The shaping of *back profile* of illuminated shelf makes the switching of cabinet back side possible.
- The shaping of illuminated shelf profile at the *door side* makes the opening of doors without handle possible.

Illuminated mirror



Used for:

- bathroom
- hall
- walk-in closets

Characteristics:

- brushed aluminium profile
- finishes with or without switch (for wall switch)

Mirror:

- exclusive acid treated mirror.

Switching options:

- **with switch** (placed on side profile of illuminated mirror)
- **without switch** (for external lighting control – e.g. wall switch)

Sizes available	Min.	Max.
L1 (width)	400 mm	2000 mm
L2 (height)	450 mm	1200 mm

We produce custom designed exclusive illuminated mirrors.

Series production – in case of larger quantities please ask for our exclusive offer.

LEDline lighting

Exclusive LED lighting – for exclusive furniture

Even a simple piece of furniture can be unique by using a well-designed lighting system, while any furniture of minimal style can be transformed into a more exclusive one.

The advantages of using LED lighting:

- due to their low energy consumption the lamps do not heat up and they do not warm the furniture up,
- complete system can be set up from LEDline products.

P21 embedded LEDline



LED lighting can be used in several different ways due to variety of installation methods: version of embedded in corpus can be used for counter lighting in the bottom of upper kitchen furniture, for lighting of wardrobe. Self-adhesive LEDline (easy to hide) can be used for lighting of shelves or plinth. Interior designers are keen on using it for lighting of ceiling. The lighting of edges of glass shelves gives exclusivity to furnitures in the kitchen, the bathroom or the living room.

Exclusive, embedded LEDline products for kitchen furniture, wardrobes, bathroom and living room furniture.

Characteristics:

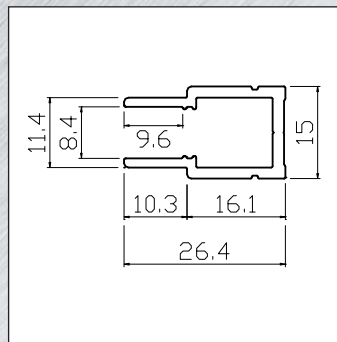
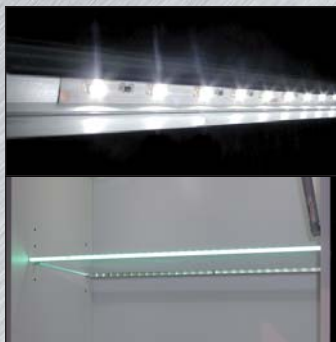
- 3 pieces of LED in every 5 cm
- Power consumption: 4,8 W/meter

Types:

- **switch on the wall** (e.g. counter lighting in the bottom of upper kitchen furniture),
- **switch by touch** (e.g. counter lighting in the bottom of upper kitchen furniture or bathroom furniture),
- **by movement perception** (e.g. for kitchen furniture door, wardrobes).

Installable sizes: 413 mm, 563 mm, 863 mm, 1163 mm.

P10 LED in alu profile – for glass shelves



LED alu in profile, for glass shelves – exclusive LEDline product for kitchen furniture, bathroom and living room furniture.

Package contains:

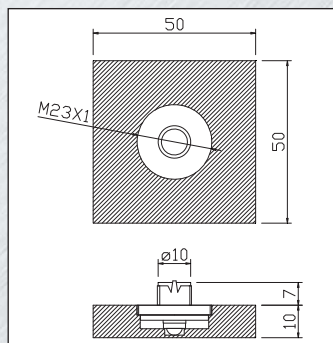
- one piece of LED stripe in alu profile,
- one piece of transformer with cable and plug

Glass thickness: max. 8 mm

Installable sizes: 413 mm, 563 mm, 863 mm, 1163 mm.

LEDline lighting

F03 LED exclusive transparent, square lamp



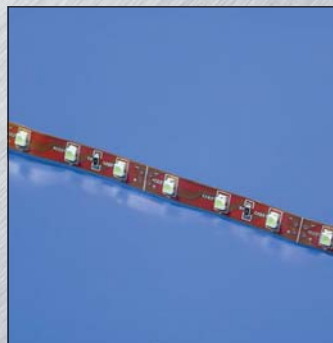
Exclusive transparent, square LED lamp with white light for kitchen furniture, bathroom and living room furniture.

The transformer unit needed for the lamp can be bought separately. Up to three lamps can be supplied with one unit.



Product size:
50 × 50 × 10 mm

P06 LEDline (with self-adhesive tape)



The product can be cut in every 5 cm, and these leftover LEDs can be used somewhere else (connected with a transformer). To light glass shelves, wardrobes or plinth.

Package contains:
one piece of LEDline stripe
with self-adhesive tape

Product length: 1 000 mm, 2 000 mm
The product is available also with LEDs of blue light. Its waterproof version (P67) is suitable for plinth profile and bathroom use.

LEDline lighting

F24 square LED lamp with 18 pieces of white LED



Exclusive square, white light LED lamp (18 pieces of white led per lamp) for kitchen furnitures, bathroom and living room furnitures. It can be also used for counter lighting.

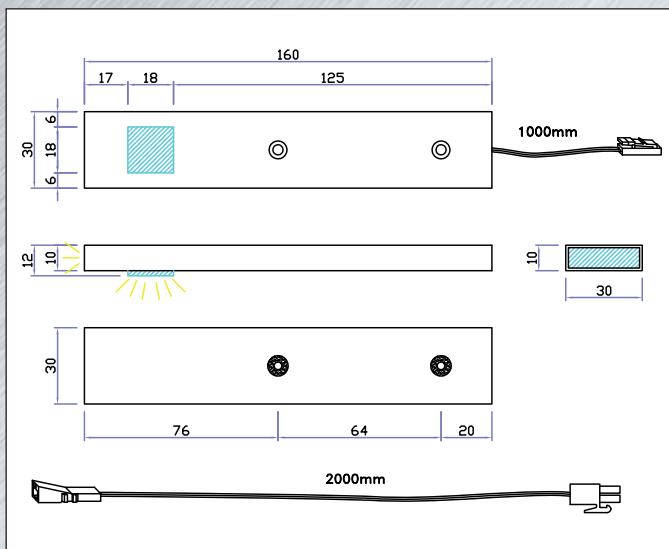
Product size: 45×45 mm.

Product fixing: 2 pcs of screw or self-adhesive.

Packages available:

- 2 pcs of lamp + transformator,
- 4 pcs of lamp + transformator,
- 6 pcs of lamp + transformator.

P30 design LED lamp



Design LED lamp of white light in chrome setting can be used in **kitchen cabinets, bathroom and sitting room furniture**. It can be also used for **counter lighting**.

Size:	160×30×12 mm
Power:	1 W, 350 mA white light
Cable length:	2000 mm

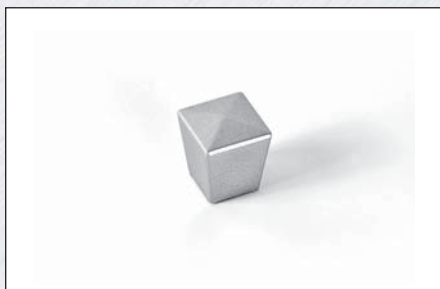
Product fixing: with 2 screws

Packages available:

- 2 pcs of lamp + transformator,
- 3 pcs of lamp + transformator,
- 4 pcs of lamp + transformator.

Handles

025 handle



Surface:
 Aluminium, grey (RAL 9006)

Material:
 Plastic with metal insert screw thread

Certified by CATAS.

Sizes:

Type	Size	Distance btw. bores	Height
025	16 × 16 mm	—	19 mm

036 handle



Surface:
 Aluminium, grey (RAL 9006),
 bright chrome.

Material:
 Plastic with metal insert screw threads

Certified by CATAS.

Sizes:

Type	Size	Distance btw. bores	Height
036	177 × 12 mm	128 mm	34 mm

044 handle



Surface:
 Aluminium, grey (RAL 9006),

Material:
 Plastic

Certified by CATAS.

Sizes:

Type	Size	Distance btw. bores	Height
044	141 × 15 mm	128 mm	32 mm

076 handles



Surface:
 Aluminium, grey (RAL 9006),
 bright chrome.

Material:
 Plastic with metal insert screw threads

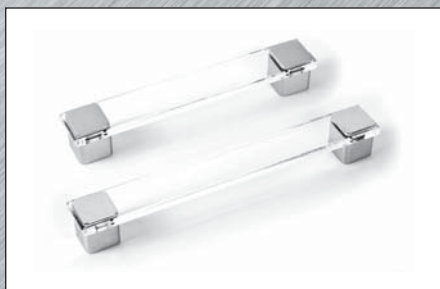
Certified by CATAS.

Sizes:

Type	Size	Distance btw. bores	Height
076A	122 × 9 mm	96 mm	29 mm
076B	150 × 9 mm	128 mm	29 mm

Handles

094 and 096 handles



Surface:
 Aluminium, grey (RAL 9006),
 bright chrome.

Material:
 Plastic with metal insert screw threads

Certified by CATAS.

Sizes:

Type	Size	Distance btw. bores	Height
094	150×25 mm	128 mm	24 mm
096	183×25 mm	160 mm	24 mm

304 handles



Surface:
 Aluminium, grey (RAL 9006),
 bright chrome.

Material:
 Plastic with metal insert screw threads

Certified by CATAS.

Sizes:

Type	Size	Distance btw. bores	Height
304A	164×26 mm	128 mm	27 mm
304B	197×26 mm	160 mm	27 mm

389 handles



Surface:
 Aluminium, grey (RAL 9006),
 bright chrome.

Material:
 Plastic with metal insert screw threads

Certified by CATAS.

Sizes:

Type	Size	Distance btw. bores	Height
389A	108×17 mm	96 mm	27 mm
389B	140×20 mm	128 mm	28 mm
389C	174×20 mm	160 mm	31 mm
389D	238×20 mm	224 mm	34 mm

18029 handles



Surface:
 Aluminium, grey (RAL 9006),
 Inox effect

Material:
 Aluminium

Sizes:

Type	Size	Distance btw. bores	Height
18029	188×20 mm	160 mm	23 mm

Extending table slides

Characteristics of fittings:

- table extension is possible with normal (-NO) or synchronous (-S) table runners,
- with synchronous fitting the two table runners can be adjusted with one move at the same time,
- for extending tables we can provide complementary accessories (guide pin, spring clip, folding leaf hinge, pivot bearing, supporting bracket) and table corner braces in different sizes,
- the surfaces of our extending table runners are metal galvanized zinc.



Normal slides for tables with open frames



Synchronous slides for tables with open frames

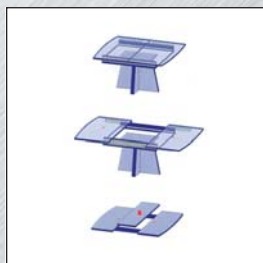
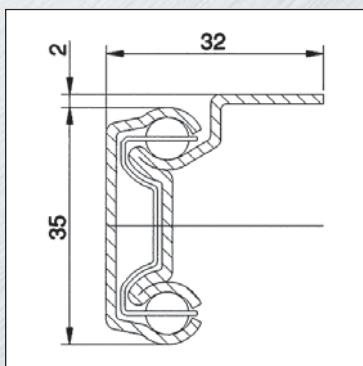


Normal slides for tables without frames (telescopic slides)



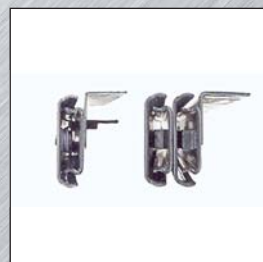
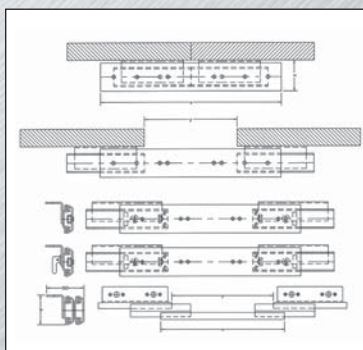
Table slides with one-slide opening

Normal slides for tables with open frames



Type	Length	Opening	Installation height	Load capacity
MA-1-528(351)-NO	528 mm	351 mm	37 mm	60 kg
MA-1-618(440)-NO	618 mm	440 mm	37 mm	60 kg
MA-1-758(541)-NO	758 mm	541 mm	37 mm	60 kg
MA-1-888(670)-NO	888 mm	670 mm	37 mm	60 kg
MA-1-1228(827)-NO	1 228 mm	827 mm	37 mm	60 kg

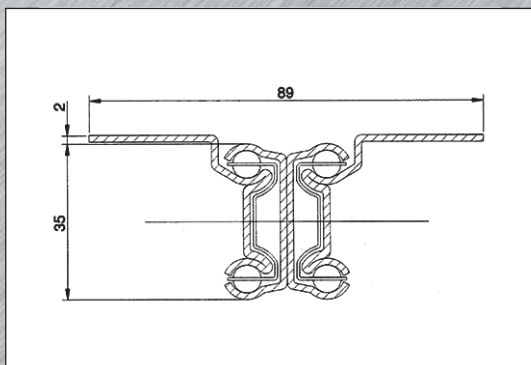
Synchronous slides for tables with open frames



Type	Length	Opening	Installation height	Load capacity
MA-1-520(351)-S	520 mm	351 mm	39 mm	60 kg
MA-1-610(432)-S	610 mm	432 mm	39 mm	60 kg
MA-1-700(541)-S	700 mm	541 mm	39 mm	60 kg
MA-1-800(630)-S	800 mm	630 mm	39 mm	60 kg
MA-1-990(790)-S	990 mm	790 mm	39 mm	60 kg
MA-1-1090(830)-S	1 090 mm	830 mm	39 mm	60 kg

Extending table slides

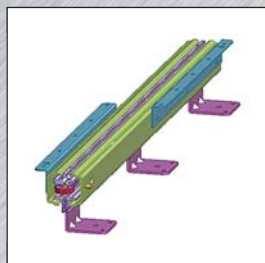
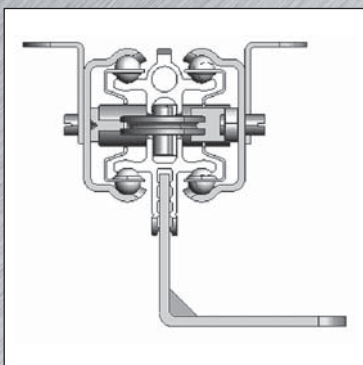
Normal slides for tables without frames (telescopic slides)



Type	Length	Opening	Installation height	Load capacity
MA-5-505(540)-NO	505 mm	540 mm	37 mm	90 kg
MA-5-605(780)-NO	605 mm	780 mm	37 mm	90 kg
MA-5-755(1083)-NO	755 mm	1083 mm	37 mm	90 kg
MA-5-910(1300)-NO	910 mm	1300 mm	37 mm	90 kg

These slides can be set up to tables where table legs and table top are moving together during operation.

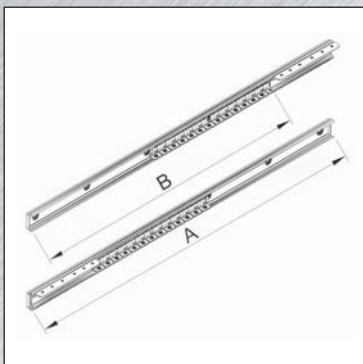
TYP extending table slides



Type	Length	Opening	Installation height	Load capacity
Type.4/S	700 mm	825 mm	84 mm	90 kg
Type.5/S	980 mm	1350 mm	84 mm	90 kg
Type.10/S	1200 mm	1850 mm	106 mm	90 kg

Synchronously operating table slides

Table slides with one-slide opening



Type	Length (A)	Opening (B)	Installation height	Load capacity
MA-1-500(415)-EO	500 mm	415 mm	37 mm	60 kg
MA-1-750(545)-EO	750 mm	545 mm	37 mm	60 kg
MA-1-950(645)-EO	950 mm	645 mm	37 mm	60 kg
MA-1-1100(695)-EO	1100 mm	695 mm	37 mm	60 kg

Joinery accessories for table slides

Guide pin



When closing an extending table the guide pin helps table tops to get to the right place.

Spring clips



Spring clips are to ensure fixing table tops to each other.

Table hooks



Table hooks are to ensure fixing table tops to each other.

Pivot bearing



Pivot bearings are to ensure placing the folding table to the level of table tops.

Supporting bracket



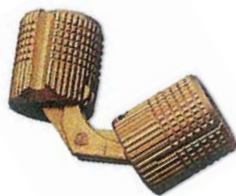
Supporting brackets are to keep the folding table under the table tops.

Folding leaf hinges



Folding leaf hinges are to ensure opening the half-cut folding table.
Heights available: 18 mm, 22 mm.

Cylinder hinge, brass



Cylinder hinges are to ensure opening the half-cut folding table.
Hinge diameter: 16 mm

Leg corner brackets



70 mm, slides with edge

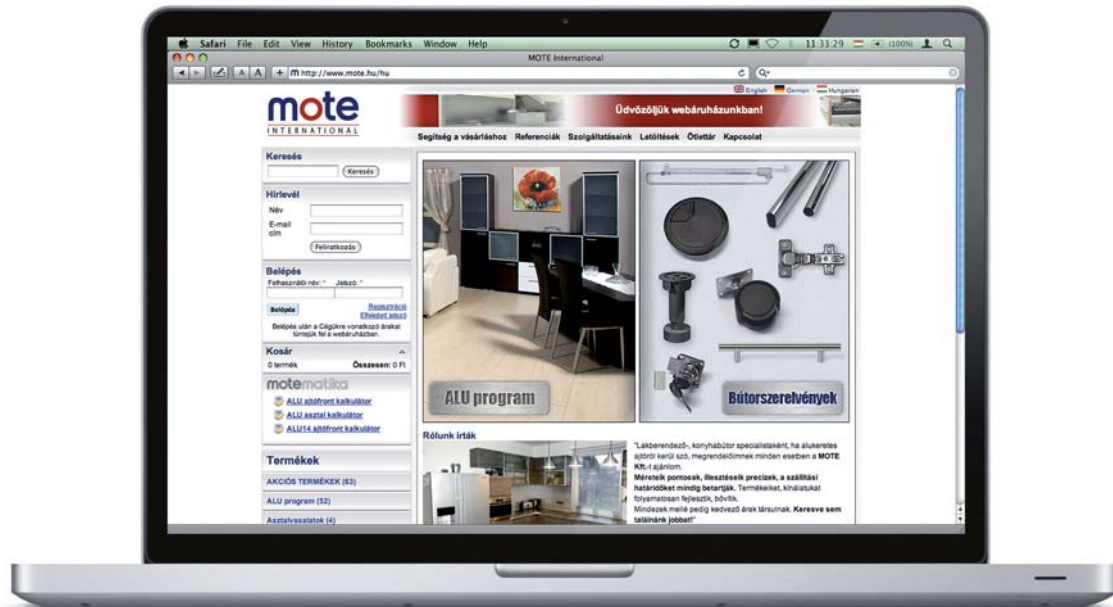
Fittings for folding table center leaf



One kit contains:

- 8 pcs of guide pins
- 2 pcs of folding leaf hinge (18 mm or 22 mm)
- 4 pcs of spring clips
- 2 pcs of pivot bearings
- 2 pcs of supporting brackets

Our full range of products is available at our website.



www.mote.hu



MOTE Kft.

H-8000 Székesfehérvár, Berényi út 72-100.
(Videoton Industrial Park, gate IV., building 190.)

Phone: +36 22 50 80 10

Fax: +36 22 50 80 11

E-mail: info@mote.hu

Web: www.mote.hu